

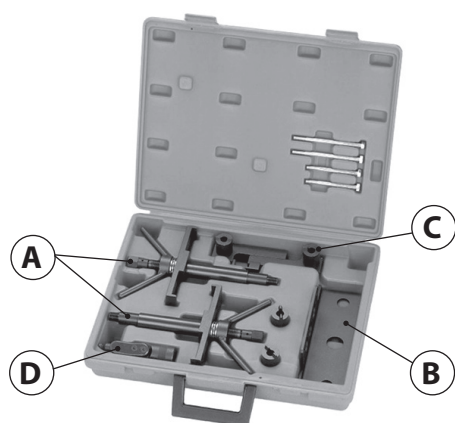
Volvo Engine Timing Tool Set for 4, 5 and 6 Cylinder Twin Cam

Item. No.: TATHT9084

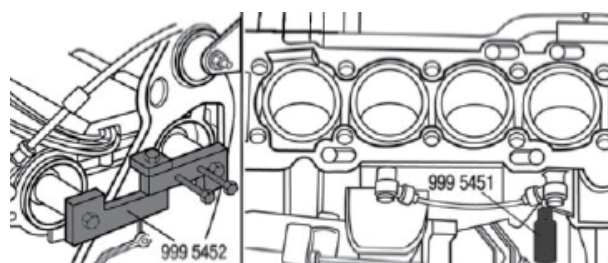
Thank you for purchasing our product. Manufactured to a high standard this product will, if used according to these instructions and properly maintained, give you years of trouble free performance.

INTRODUCTION

- For Alignment of the cam and crankshaft, also alignment of the cam and crankshafts with the cam cover.
- This tool is used for the alignment of the camshafts & crankshafts on in-line 4, 5&6 Cylinder.
- Twin cam motors through 2006.
- May also be used to align camshafts with the cam cover.



| ID | Name | OEM Code |
|----|-----------------|----------|
| A | Press Tool | 999-5454 |
| B | Angled Plate | 999-5453 |
| C | Camshaft Holder | 999-5452 |
| D | Locking Pin | 999-5451 |



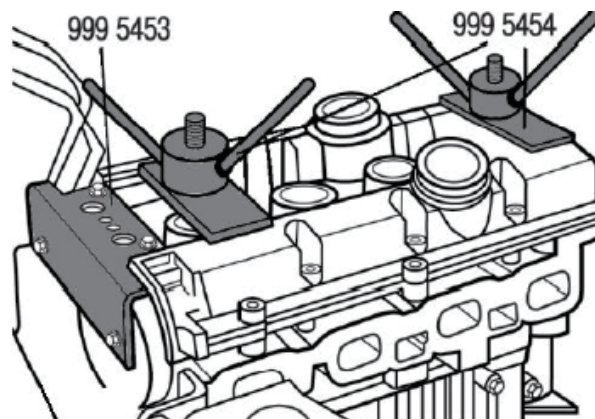
APPLICATION

Press Tool | 999-5454

B4164S, B1464S2, B4184S5, B4184S10, B4184S2, B4184S3, B4184S9, B4184SJ, B4194T, B4194T2, B4204S, B4204S2, B4204T, B4204T2, B4204T2T, CVVT, B4204T3, B4204T3 (USA)(CDN), B4204T4, B4204T5, B5202FS, B5204FS, B5204FT, B5204T2, B5204T3, B5204T4, B5204T5, B5234FS, B5234FT, B5234T2, B5234T3, B5234T4, B5234T5, B5234T6, B5234T7, B5234T8, B5234T9, B5244S, B5244S2, B5244S4, B5244S5, B5244S6, B5244S7, B5244SG, B5244SG2, B5244T, B5244T2, B5244T4, B5244T5, B5244T7, B5252FS, B5254FS LH 3.2, B5254FS M 4.3, B5254FS M 4.4, B5254S DENS0, B5254T2, B5254T4, B6284T **700, 800, 850, 900, 960, C70 CONV, C70 Coupe, S40 (-04), S40 (04-), S60, S70, S80, S90, V40, V50, V70 (-00), V70 (00-), V70XC (-00), V70 SC (01-),/ XC70, V90, XC90**

Camshaft Holder | 999-5452

B4204T3, B4204T3 (USA)(CDN), B4204T4, B4204T5B5202FS, B5204FS, B5204FT, B5204T2, B5204T3, B5204T4, B5204T5, B5234FS, B5234FT, B5234T2, B5234T3, B5234T4, B5234T5, B5234T6, B5234T7, B5234T8, B5234T9, B5244S, B5244S2, B5244S4, B5244S5, B5244S6, B5244S7, B5244SG, B5244SG2, B5244T, B5244T2, B5244T3, B5244T4, B5244T5, B5244T7, B5252FS, B5254FS LH3.2, B5254FS M 4.3, B5254FS M 4.4, B5254S DENS0B5254T, B5254T2, B5254T3, B5254T4, B6244FS, B6254FS, B6254GS, B6284T, B6294S, B6294S, B6294T, B6304FS, B6304FS2, B6304GS, B6304S3, GB5252S **700, 800, 850, 900, 960, C70 CONV, C70 Coupe, S40 (-04), S40 (04-), S60, S70, S80, S90, V40, V50, V70 (-00), V70(00-), V70XC (-00), V70 XC (01-)/ XC70, V90, XC90**



Angled Plate | 999-5453

B4164S, B4184S, B4194T, B4204S, B4204T, B5202FS, B5204FS, B5204FT, B5204T2, B5204T3, B5234FS, B5234FT, B5234T2, B5234T3, B5234T4, B5234T5, B5234T6, B5234T7, B5252FS, B5254FS LH 3.2, B5254FS M4.3, B5254FS M 4.4, B5254T, B63004FS, B6304FS2, B6304GS, D4192T **700, 800, 850, 900, 960, C70 CONV, C70 Coupe, S40 (-04), S70, S90, V40, V70 (-00), V70 XC (-00), V90**

Locking Pin | 999-5451

B4164S, B4164S2, B4184S, B4184S10, B4184S2, B4184 **700, 800, 850, 900, 960, C70 CONV, C70 Coupe, S40, S60, S70, S80, S90, V40, V70 2000, V70**

WARNING: Please read these instructions carefully. Note the safe operational requirements, warnings and cautions. Use the product correctly and with care for the purpose for which it is intended. Failure to do so may cause damage and or personal injury and will invalidate the warranty. Please keep instructions safe for future use.